

SUSTAINABILITY DECLARATION

JULIA SHELF



INCLUSIVE DESIGN

QUALITY AND ENVIRONMENTAL LABELLING



MATERIAL CONTENT

Wood	14,8 kg	97,3 %
Steel	0,4 kg	2,6 %
Plastic	0,01 kg	0,02 %
Total	15,2 kg	100 %

RECYCLED MATERIAL

Post-consumer recycled content	0,08 kg	0,53 %
Pre-consumer recycled content	0 kg	0 %
Total recycled content	0 kg	0 %

RECYCLABILITY:

Material recycling	0,40 kg	2,7 %
Energy recovery	14,8 kg	97,3 %

TOTAL CO2:

4,29 KG

ENERGY VALUE: (in accordance with NF Environnement)

118,8 MJ

FULFILLED TECHNICAL STANDARDS

- EN 16121 Requirements for safety, strength, durability and stability
- EN 16122 Test methods for the determination of strength, durability and stability
- EN 12720 Assessment of surface resistance to cold liquids
- SIS 83 91 17 Assessment of surfaces resistance to scratches

FULFILLED FIRE REQUIREMENTS

- Euroclass D

CHEMICAL DATA

Following have not been added to the product:

Substances on Reach candidate list

Asbestos

Heavy metals

Brominated or halogenated flame retardants

PVC

Hexavalent chromium

COMPANY CERTIFICATIONS

- ISO 14001
- ISO 9001
- OHSAS 18001
- FSC® Chain of Custody

PACKAGING AND TRANSPORT

Packaged in recyclable packaging. NC is connected to FTI, the Swedish nationwide recycling system for packaging. Shipped with external carriers.

MATERIALS

Wood is certified with FSC Mix.

Plastic is free from PVC.

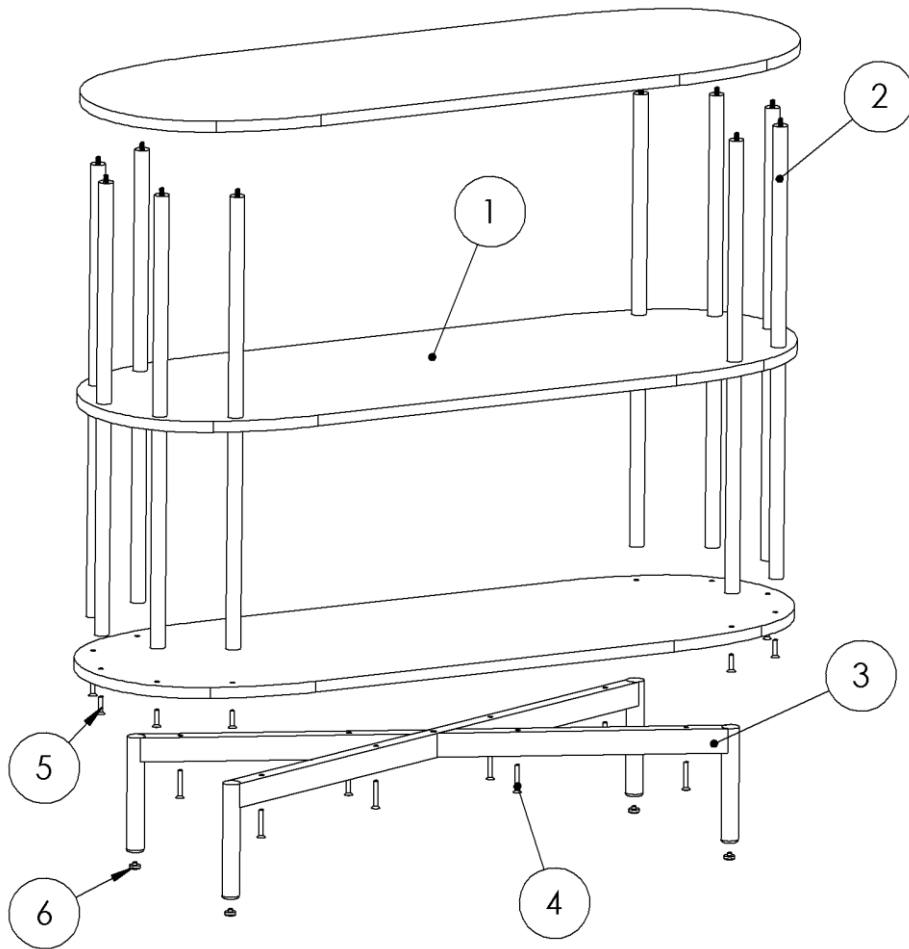
No conflict minerals.

CARE AND MAINTENANCE RECOMMENDATIONS

Please visit our webpage.

<http://www.ncnordiccare.se/care-instructions/?lang=en>

RECYCLING



Wood	1, 2, 3
Steel	2, 4, 5, 6
Plastic	6

LEED CONTRIBUTION

The product can contribute to the earning of points within the following credits.

LEED 2009

Interior Design & Construction

MR 4 Recycled Content	Post consumer 0,53 %, Pre consumer 0 %.
MR 7 Certified wood	The product is labelled with FSC Mix.

Building Design and Construction

MR 4 Recycled Content	Post consumer 0,53 %, Pre consumer 0 %.
MR 7 Certified wood	The product is labelled with FSC Mix.

Building Design and Maintenance

MR 2.2 Sustainable purchasing – durable goods: furniture	Recycled content: Post consumer 0,53 %, Pre consumer 0 %. The product is labelled with FSC Mix.
--	--

LEED V 4

Interior Design & Construction

MR Credit: Interiors life-cycle impact reduction	Services offered for recycling, refreshing or reusing products. Share of recyclable material in the product: 0,2 %.
MR Credit: Building product disclosure and optimization – sourcing of raw materials	The product is labelled with FSC Mix. Recycled content: Post consumer 0,53 %, Pre consumer 0 %.

Building Design and Construction

MR Credit: Building product disclosure and optimization – sourcing of raw materials	Recycled content: Post consumer 0,53 %, Pre consumer 0 %.
MR Credit: Furniture and medical furnishings (healthcare)	The product contains no or less than 100ppm hexavalent chromium, heavy metals, PFCs or PFOA, or added anti-microbial treatments. The product is labelled with FSC Mix. Recycled content: Post consumer 0,53 %, Pre consumer 0 %.

Building Operations and Maintenance

MR Credit: purchasing—facility maintenance and renovation	The product is labelled with FSC Mix. The product does not contain any substances on REACH Authorization or Candidate list.
---	--